

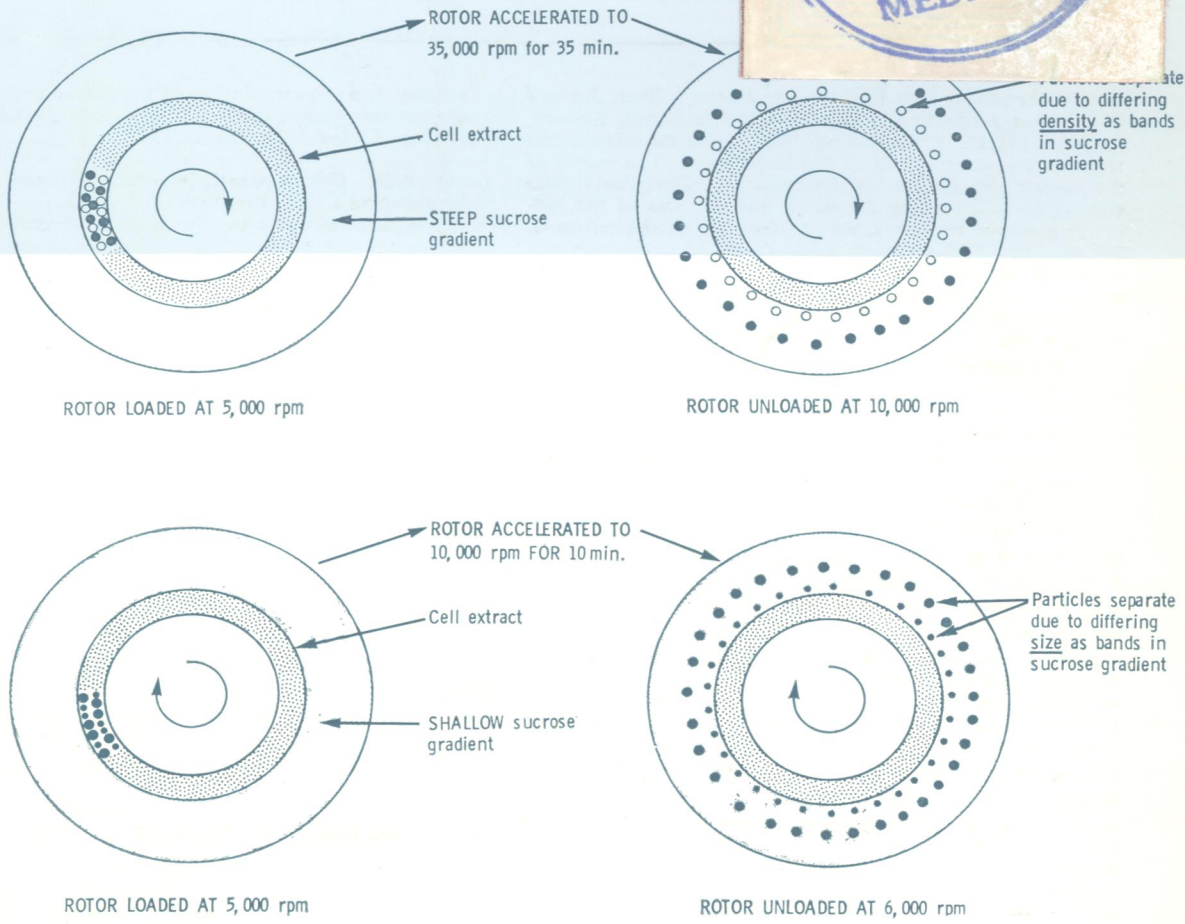
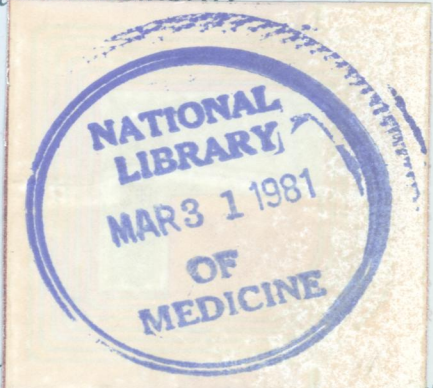
W1
Jo 5896

DR
25

Journal of Clinical Pathology

The Journal of the Association of Clinical Pathologists

Vol 34, No 1, January 1981



Separation of subcellular organelles by (above) isopycnic and (below) isokinetic (rate zonal) centrifugation in the Beaufay rotor. See Fig. 2, page 2.

J Clin Pathol: first published as on 1 January 1981. Downloaded from <http://jcp.bmj.com/> on September 30, 2023 by guest. Protected by copyright.