



PIONEERED DISCRETE AUTOMATED ANALYSIS SYSTEMS IN U.K. & EUROPE

Laboratory Automation Systems

MECOLAB 1

Clinical Laboratory Analysis System.

MICROBIOLOGICAL MECOLAB

for routine analysis by microbiological assay, e.g. Folate

AUTOFLAM

Automatic Flame Photometer for simultaneous measurement of sodium and potassium.

ENZYMAT

Automatic measurement of enzyme kinetic reaction rates.

AUTOCOLORIMETER

A double-beam recording colorimeter with automatic sample pick-up and digital print-out.

U.V. POLYFRAC

System for fractionation and measurement of R.N.A. and Proteins.

UNILOG

Digital converter with print-out for spectrophotometer and allied instruments.

CHROMOSCAN

Recording and integrating densitometer with extreme versatility.

CENTRICHEM

Automatic solvent extraction system with tape programmer.

H.S. FLOWSCAN

On-stream high sensitivity colorimeter.



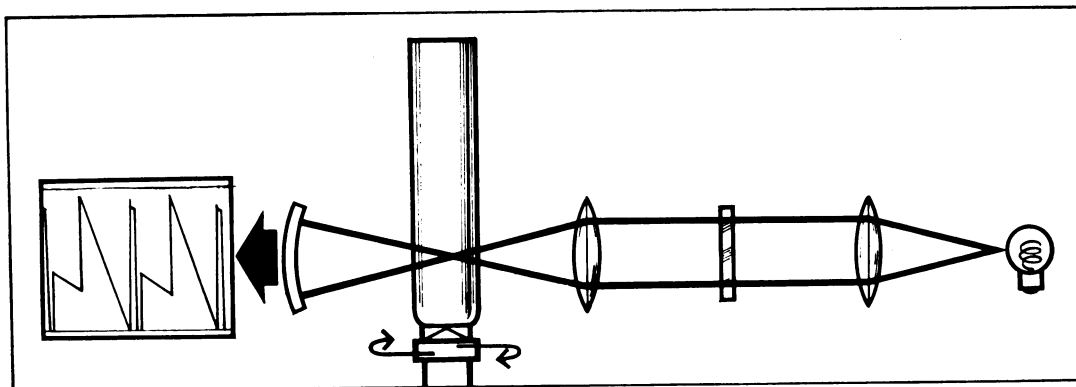
MECOLAB LABORATORY AUTOMATION DIVISION

JOYCE, LOEBL & CO. LTD.

Princesway, Team Valley, Gateshead, Co. Durham NE11 0UJ Telephone: 0632 877891 Cables: JAYELL GATESHEAD Telex: 53257

London Office: Joyce, Loebel International Instrument Sales Ltd., 2 Noble Corner, Great West Road, Heston, Middx. Telephone 01-570 7313

French Office: Joyce, Loebel France S.A., 28-30, Avenue Georges Clemenceau 92 Nanterre. Telephone 204-1457 204-4103



Modern Enzyme Analysis

FOR SAVING: TIME - 50 analyses per hour.
 MONEY - Small measuring volume (1 ml) saves sample and reagent.
 ERRORS - Kinetic technique provides higher level of accuracy.



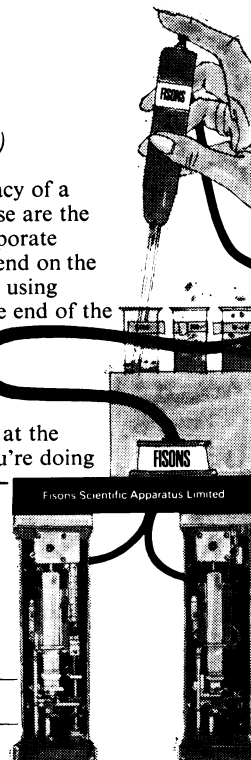
IN THE SERVICE OF SCIENCE

LKB INSTRUMENTS LTD ● LKB HOUSE ● 232 ADDINGTON ROAD ● S. CROYDON, SURREY. CR2 8YD ● TEL: 01-657-0286
 SALES AND SERVICE THROUGHOUT THE WORLD: STOCKHOLM, WASHINGTON, THE HAGUE, COPENHAGEN. ROME, VIENNA.

Only suckers don't fall for these pipetting systems

(probably because they enjoy an occasional mouthful)

With them anyone can do a wet chemical analysis . . . to the accuracy of a Class A pipette . . . and in under half the time it normally takes. These are the Fisons systems for automatic dispensing and diluting which incorporate the unique Fisons Handset. Being automatic the accuracy doesn't depend on the time of day or the skill of the analyst. It's very much simpler than using conventional fragile pipettes. The analyst simply presses a button on the end of the 'hand set' for each step and the analysis is performed — using the right amounts—in sequence. It's impossible to go wrong. To provide maximum bench area the auto syringe units are mounted under the bench. If you're performing any routine analysis, like blood urea, sodium and potassium and blood glucose, take a look at the Fisons systems. In fact get in touch right away, tell us the analysis you're doing and we'll quote you by return of post. A Fisons system isn't expensive — prices start at around £100. In fact it's well worth while installing just one dispenser or diluter to make routine operations easier.



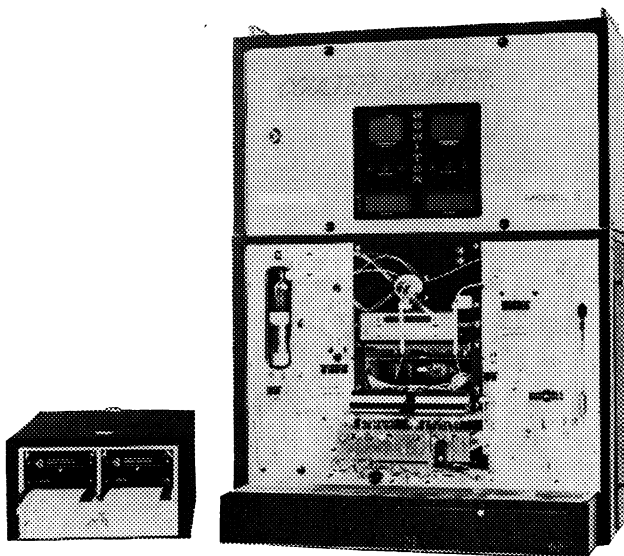
Get the full story from



Fisons Scientific Apparatus Limited

Loughborough, Leicestershire. Telephone: 050-93 5781

THE GREATEST BOOST TO HAEMATOLOGICAL PRODUCTIVITY SINCE THE COULTER COUNTER® MODEL A



THE COULTER COUNTER MODEL S

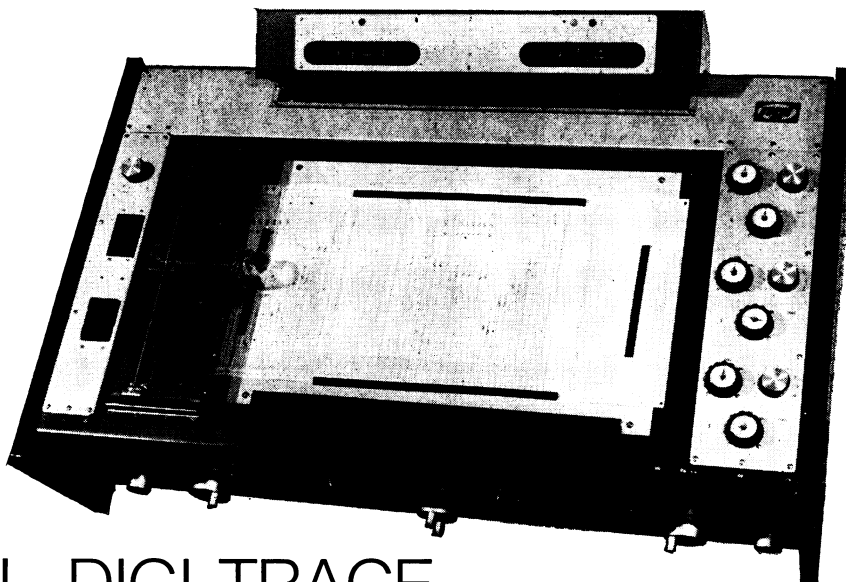
- **THE COULTER COUNTER MODEL S** determines seven haematological parameters in less than 20 seconds from one sample of whole or pre-diluted capillary blood.
WBC, RBC, HGB, HCT, MCV, MCH, MCHC:
These results are printed digitally on a patient report card for immediate distribution.
- **REPRODUCIBLE ACCURACY:** A newly developed diluting system which overcomes variations in dilutions is a major factor in making every individual analysis reproducibly accurate.
- **PRE-DILUTED CAPILLARY BLOOD** can be introduced directly into the second mixing chambers of the dilution module.
- **EMERGENCY SAMPLES** can be analysed immediately, without upsetting any routine, because each count takes only seconds.
- **SETTING UP TIME MINIMAL:** day or night, any time, the Model S can be switched on and used almost immediately.
- **ALL COMPONENTS** are easily removable, simple to test. There is an indicator light system that monitors the control functions and test points; and plug-in control boards simplify the exchange of components.
- **THE COULTER COUNTER MODEL S** Dilution, Analysing and Printer units require less than 4 square feet of valuable bench space.

For further details, write or call:



COULTER ELECTRONICS LIMITED
HIGH STREET SOUTH · DUNSTABLE · BEDFORDSHIRE. TELEPHONE: 66211

Patents issued or pending throughout the world.



NGL DIGI-TRACE DOUBLE AXIS TRACE READER

This unit is being successfully employed by the Courtauld Institute of Biochemistry at the Middlesex Hospital in a research project to determine the role of blood serum lipoproteins in the cause of heart disease. Other medical applications include the measurement of pulse radiolysis from trace photographs, examination of heart deformation from x-ray, statistical analysis of radiation pollution charts, measurement of cell growth rate from microphotographs and analysis of chromosome co-ordinate position from photomicrographs.

The NGL Double Axis Trace Reader has many attributes for the rapid and comprehensive analysis of charts, graphs etc.

X-Y readings are measured from two highly linear potentiometers in conjunction with a carriage-mounted sight and displayed on a visual indicator simultaneously. Facilities for the reading of F values (functions of Y) are provided and a projector can be incorporated to permit the analysis of filmed data.

- Simple spool loading for continuous records.
- Removable magnetic strips to secure small charts.
- Facility to move carriage manually by fixed increments to permit readings at regular intervals.
- Freedom of carriage movement enables graph curves to be simply followed.
- Carriage locked in any position allows multi-channel readings to be taken at a common X line.



Other Normalair-Garrett products include a Single Axis Trace Reader and a portable, battery-powered Data Logger with facilities for the connection of 12 input channels.

NORMALAIR-GARRETT LIMITED
INDUSTRIAL ELECTRONICS DIVISION YEOVIL SOMERSET ENGLAND

Telephone: Yeovil (Code 0935) 5222 Ext. 267

A member of the Westland group of companies.

BRITISH MEDICAL JOURNAL

*Weekly. Annual Subscription, United Kingdom, Irish Republic £12 12s.; Abroad £7 7s. (\$18.00)
and its associated specialist journals*

GUT

Journal of the British Society of Gastroenterology. A journal for physicians, surgeons, radiologists and pathologists, carrying authoritative articles on all aspects of gastroenterology.

Monthly Annual Subscription, Inland £8 8s.; Overseas £9 5s. (\$22.00)

BRITISH JOURNAL OF OPHTHALMOLOGY

Designed for the clinician and research worker and includes original articles, case notes, information on new appliances, book reviews.

Monthly. Annual Subscription, Inland £8 8s. Overseas £9 5s. (\$22.00). (Combined subscription for the two Ophthalmic Journals, Inland £15; Overseas £16 (\$38.50).)

OPHTHALMIC LITERATURE

Abstracts of articles on the wide field of ophthalmology published throughout the world. Each volume contains some 6,000 abstracts—covering one year.

Six issues a year plus index. Annual Subscription, Inland £8 8s.; Overseas £9 5s. (\$22.00). (For combined subscription see above.)

JOURNAL OF CLINICAL PATHOLOGY

Original and specially commissioned articles on each branch of pathology, with prominence given to its clinical application. Technical methods, notes on new or improved apparatus, book reviews.

Annual Subscription (six issues), Inland £5.; Overseas £5 15s. (\$14.00)

BRITISH HEART JOURNAL

Original work on the heart and circulation—anatomical, physiological and pathological.

Annual Subscription (six issues) Inland £5.; Overseas £5 15s. (\$14.00)

ARCHIVES OF DISEASE IN CHILDHOOD

Devoted to child health and disease, with emphasis on clinical paediatrics. Original articles by paediatricians and other specialists.

Annual Subscription (six issues), Inland £5.; Overseas £5 15s. (\$14.00).

JOURNAL OF NEUROLOGY, NEUROSURGERY AND PSYCHIATRY

Original articles on current research, throwing light on practice in neurology, neurosurgery and psychiatry.

Annual Subscription (six issues), Inland £5.; Overseas £5 15s. (\$14.00).

ANNALS OF THE RHEUMATIC DISEASES

Original articles by authorities in the U.K., U.S.A. and elsewhere on every manifestation of the rheumatic diseases. Summaries in English, French and Spanish.

Annual subscription (six issues), Inland £5.; Overseas £5 15s. (\$14.00)

THORAX

Original work on the anatomy, physiology and pathology of the chest and heart. Descriptions of techniques and apparatus used in modern cardiac surgery.

Annual Subscription (six issues), Inland £5.; Overseas £5 15s. (\$14.00).

BRITISH JOURNAL OF MEDICAL EDUCATION

A medium for the interchange of medical education—Undergraduate, Postgraduate and Continuing.

Quarterly. Annual Subscription, Inland £3 15s.; Overseas £4 4s. (\$10.00).

CARDIOVASCULAR RESEARCH

Covering all aspects of basic research on the study of cardiovascular disorders.

Quarterly. Annual Subscription, Inland £3 15s.; Overseas £4 4s. (\$10.00)

JOURNAL OF MEDICAL GENETICS

A new journal publishing articles on clinical, statistical, pathological, cytological and biochemical aspects of medical genetics.

Quarterly. Annual Subscription, Inland £3 15s.; Overseas £4 4s. (\$10.00).

BRITISH JOURNAL OF VENEREAL DISEASES

Designed to disseminate, exchange and increase knowledge among consultants, practitioners, research workers, teachers and others concerned with the problem of venereal diseases.

Quarterly. Annual Subscription, Inland £3 15s.; Overseas £4 4s. (\$10.00).

BRITISH JOURNAL OF INDUSTRIAL MEDICINE

Authoritative papers on all aspects of occupational medicine, e.g. the pneumoconioses, occupational cancers, industrial toxicology and psychology.

Quarterly. Annual Subscription, Inland £3 15s.; Overseas £4 4s. (\$10.00).

BRITISH JOURNAL OF PREVENTIVE AND SOCIAL MEDICINE

Original work in the field, the emphasis on epidemiological methods and medical research.

Quarterly. Annual Subscription, Inland £3 15s.; Overseas £4 4s. (\$10.00)

MEDICAL AND BIOLOGICAL ILLUSTRATION

Illustration and its application to the requirements of the medical and biological sciences.

Quarterly. Annual Subscription, Inland £3 15s.; Overseas £4 4s. (\$10.00).

ABSTRACTS OF WORLD MEDICINE

Critical abstracts of important articles appearing in medical periodicals in every part of the world. Accent on what is new.

Monthly. Annual Subscription, Inland, South Africa and British Commonwealth £6 15s.; Overseas £7 10s. (\$18.00)

The Subscription Manager, **BRITISH MEDICAL JOURNAL**, Tavistock Square, London W.C.1
or order through any leading subscription agent or bookseller. Dollar rates quoted refer to the U.S. dollar.